



NU 306 ECM

- Popular item
- SKF Explorer

Cylindrical roller bearings, single row

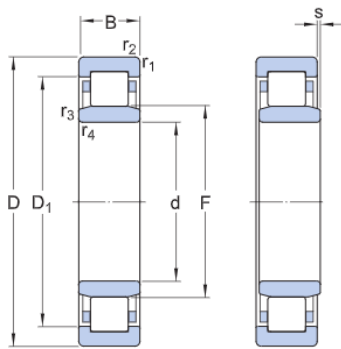
Bearing data

[Tolerances](#),
Normal (metric), P6, Normal (inch),
[Radial internal clearance](#),
cylindrical bore, tapered bore,
[Axial internal clearance](#),
NUP, NJ + HJ

Bearing interfaces

[Seat tolerances for standard conditions](#),
[Tolerances and resultant fit](#)

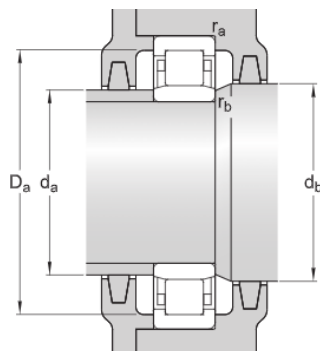
Technical specification



DIMENSIONS

d	30 mm	Bore diameter
D	72 mm	Outside diameter
B	19 mm	Width
D1	≈58.35 mm	Shoulder diameter of outer ring
F	40.5 mm	Chamfer dimension of loose flange ring
r1,2	min.1.1 mm	Chamfer dimension
r3,4	min.1.1 mm	Chamfer dimension
s	max.1.4 mm	Permissible axial displacement

ABUTMENT DIMENSIONS



da	min.37 mm	Diameter of spacer sleeve
da	max.39 mm	Diameter of spacer sleeve
db	min.43 mm	Diameter of shaft abutment
Da	max.65.1 mm	Diameter of housing abutment
	max.1	Radius of

ra	mm	fillet
rb	max.1 mm	Radius of fillet

CALCULATION DATA

Basic dynamic load rating	C	58.5 kN
Basic static load rating	C ₀	48 kN
Fatigue load limit	P _u	6.2 kN
Reference speed		11 000 r/min
Limiting speed		12 000 r/min
Minimum load factor	k _r	0.15
Limiting value	e	0.2
Axial load factor	Y	0.6

MASS

Mass	0.41 kg
------	---------

ASSOCIATED PRODUCTS

Angle ring	HJ 306 EC
------------	-----------